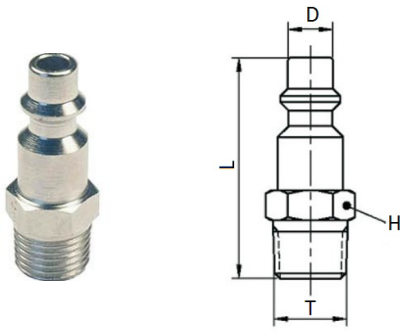


**NE-10M**

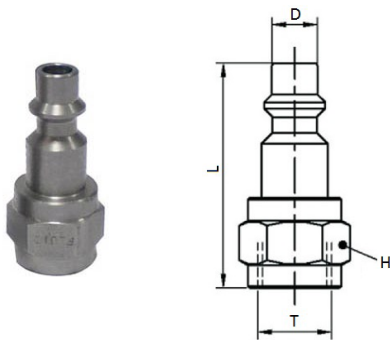
Male connection BSPT DN 5,5



CODE	T	D	L	H
NE-10M	R1/4"	8	40,0	14
NE-10M-3/8	R3/8"	8	42,5	17
NE-10M-1/2	R1/2"	8	46,0	22

**NE-10H**

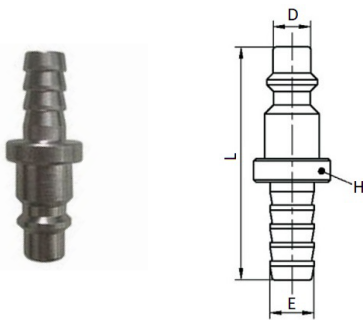
Female connection BSPP DN 5,5



CODE	T	D	L	H
NE-10H	G1/4"	8	40,0	17
NE-10H-3/8	G3/8"	8	41,5	22
NE-10H-1/2	G1/2"	8	44,0	25

**NE-10E**

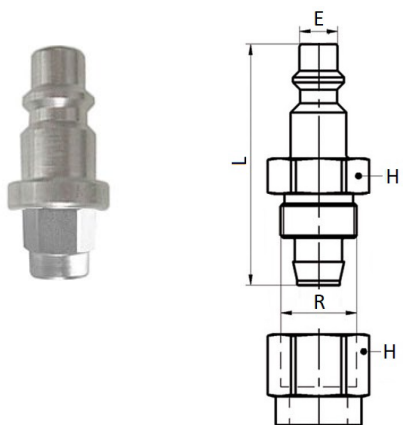
Connection with barb connector DN 5,5



CODE	E	D	L	H
NE-10E-6	7,2	8	46	14
NE-10E-8	9,2	8	47	14
NE-10E-10	11,2	8	52	14
NE-10E-12	13,2	8	54	15

**NE-10PM**

Connection with push-on fitting DN 5,5



CODE	Ø TUBE	R	E	L	H
NE-10PM-08	8X12	M16X1	8	50,7	19
NE-10PM-10	10X15	M20X1	8	55,5	22

To used with PU-PVC

