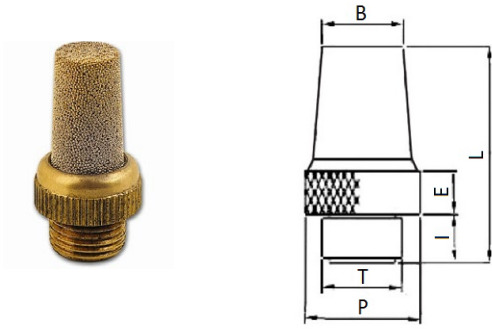


6400

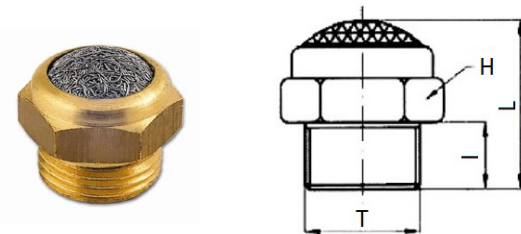
Cone-shaped silencer of sinterized spherical bronze riveted on circular knurled brass base



CODE	T	ØP	I	B	E	L	GR.
6400TR18	G1/8"	13,0	7,0	8,5	4,0	37,0	9
6400TR14	G1/4"	16,0	8,0	11,0	4,5	34,0	13,5
6400TR38	G3/8"	19,0	8,0	14,0	5,0	41,0	23
6400TR12	G1/2"	24,0	10,0	17,0	5,0	46,0	45
6400TR34	G3/4"	30,0	10,0	21,0	5,0	56,0	80
6400TR1	G1"	38,0	10,0	26,5	6,0	66,0	133,5

6450

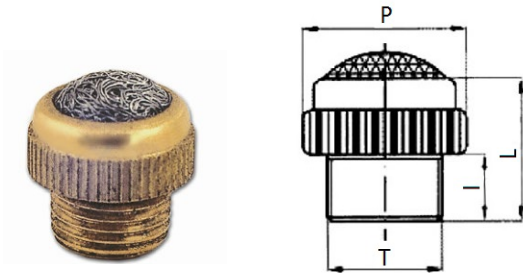
Stainless steel wire silencers on hexagonal brass base



CODE	T	I	L	H	GR.
6450TRM5	M5	4,0	8,5	8,0	1,5
6450TR18	G1/8"	6,0	15,0	13,0	6,0
6450TR14	G1/4"	7,0	19,0	16,0	10,5
6450TR38	G3/8"	8,0	20,0	19,0	16,5
6450TR12	G1/2"	10,0	22,0	24,0	24,5
6450TR34	G3/4"	10,0	24,0	30,0	37,0
6450TR1	G1"	12,0	28,0	36,0	56,5

6500

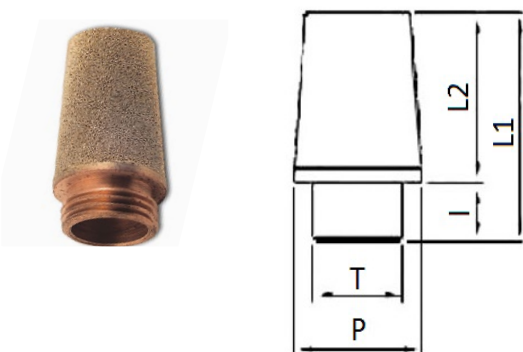
Silencer of stainless steel wire riveted on circular knurled brass base



CODE	T	ØP	I	L	GR.
6500TR18	G1/8"	13,0	7,0	14,0	5
6500TR14	G1/4"	16,0	8,0	18,0	8,5
6500TR38	G3/8"	19,0	8,0	20,0	13,5
6500TR12	G1/2"	24,0	10,0	22,0	23,5
6500TR34	G3/4"	30,0	10,0	24,0	30,5
6500TR1	G1"	38,0	10,5	27,0	57,5

6550

Cone e-shaped silencer of sinterized spherical bronze with circular coppered steel base



CODE	T	P	I	L1	L2	GR.
6550TR18	G1/8"	11,5	4,5	21,0	16,5	6,0
6550TR14	G1/4"	15,0	6,0	25,0	19,0	11,5
6550TR38	G3/8"	19,0	7,0	34,5	27,5	24,0
6550TR12	G1/2"	23,0	8,0	43,0	35,0	44,5
6550TR34	G3/4"	30,0	9,0	50,0	41,0	73,0
6550TR1	G1"	37,0	11,0	60,5	49,5	137,5

