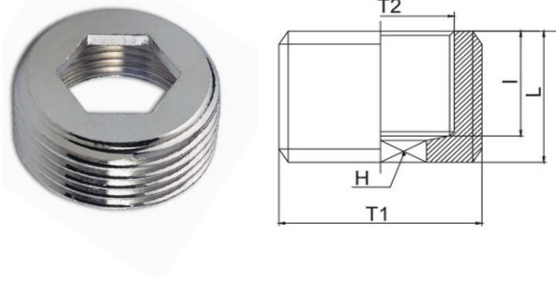


1600

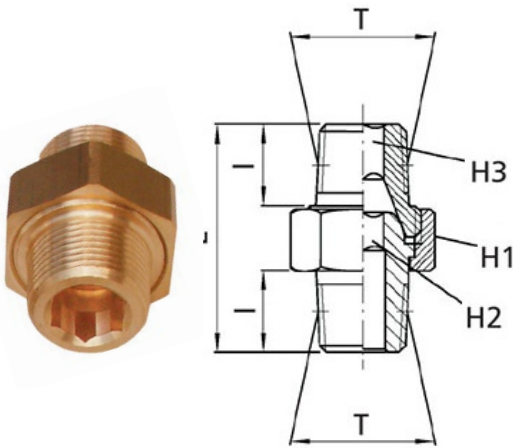
Reducer M/F BSPP & metric thread with exagon embedded



CODE	T1	T2	I	L	H	GR.
1600TRM518	G1/8"	M5	6,5	8,0	3	3,0
1600TR1418	G1/4"	G1/8"	7,0	9,0	6	7,0
1600TR3818	G3/8"	G1/8"	7,0	9,0	6	10,0
1600TR3814	G3/8"	G1/4"	7,0	9,0	8	6,0
1600TR1214	G1/2"	G1/4"	8,5	10,5	10	23,0
1600TR1238	G1/2"	G3/8"	8,5	10,5	10	10,0
1600TR3412	G3/4"	G1/2"	11,0	13,0	12	35,0
1600TR134	G1"	G3/4"	12,5	15,0	17	38,0

1110-3PCS

Nipple three pieces M/M BSPT thread in yellow brass



CODE	T	I	L	H1	H2	H3	GR.
1110TR18-3P	R1/8"	9,0	27,0	15	5	5	59,0
1110TR14-3P	R1/4"	12,0	33,5	19	6	6	65,0
1110TR38-3P	R3/8"	13,0	36,5	22	8	8	71,0
1110TR12-3P	R1/2"	16,0	44,0	27	12	12	86,0
1110TR34-3P	R3/4"	18,0	53,0	36	14	14	103,0
1110TR1-3P	R1"	22,0	64,0	46	19	19	124,0

