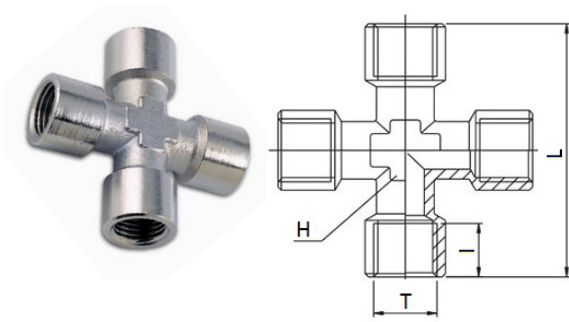


1215

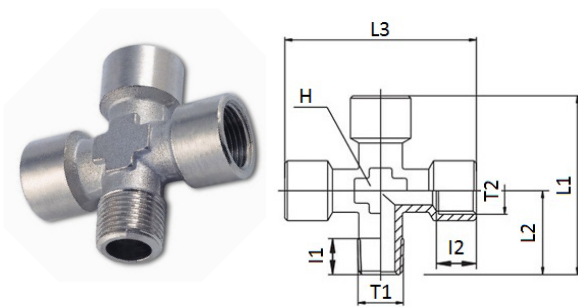
Tee F/F/F/F equal cross BSPT thread



CODE	T	I	L	H	GR.
1215TR18	G1/8"	8,0	42,0	10	38,0
1215TR14	G1/4"	11,0	51,0	13	76,0
1215TR38	G3/8"	11,5	56,0	17	108,0
1215TR12	G1/2"	14,0	67,0	21	186,0

1216

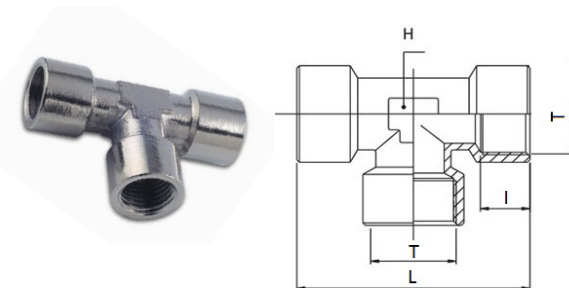
Tee M/F/F/F equal cross BSPT thread



CODE	T1	T2	I1	I2	L1	L2	L3	H	GR.
1216TR18	R1/8"	G1/8"	8,0	8,0	39,5	18,5	42	10	34,0
1216TR14	R1/4"	G1/4"	11,0	11,0	49,0	23,5	51	13	68,0
1216TR38	R3/8"	G3/8"	11,5	11,5	54,0	26,0	56	17	100,0
1216TR12	R1/2"	G1/2"	14,0	14,0	64,5	31,0	67	21	168,0

1220

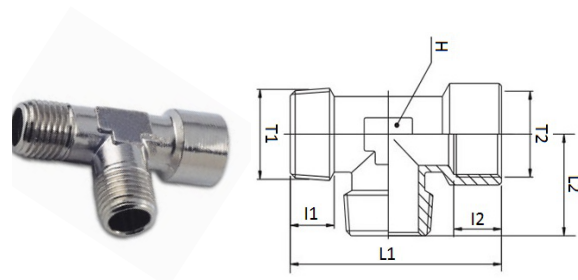
Tee F/F/F BSPP & metric thread



CODE	T	I	L	H	GR.
1220TRM5	M5	5,5	26,5	8	7,0
1220TR18	G1/8"	8,0	40,0	10	28,0
1220TR14	G1/4"	11,5	50,0	13	49,0
1220TR38	G3/8"	12,0	57,0	17	85,0
1220TR12	G1/2"	15,0	68,5	21	146,0
1220TR34	G3/4"	16,5	73,0	25	194,0
1220TR1	G1"	19,0	90,0	30	326,0

1225

Tee M/M/F BSPT & metric thread



CODE	T1	T2	I1	I2	L1	L2	H	GR.
1225TRM5	M5	M5	5,0	5,5	26,0	13,0	8	8,0
1225TR18	R1/8"	G1/8"	9,5	8,0	38,5	18,5	10	25,0
1225TR14	R1/4"	G1/4"	11,5	11,5	47,5	23,5	13	43,0
1225TR38	R3/8"	G3/8"	13,0	12,0	56,0	26,0	17	72,0
1225TR12	R1/2"	G1/2"	15,0	15,0	67,5	32,0	21	102,0
1225TR34	R3/4"	G3/4"	16,0	16,5	69,5	33,0	25	156,0
1225TR1	R1"	G1"	17,5	19,0	84,0	39,0	30	268,0

