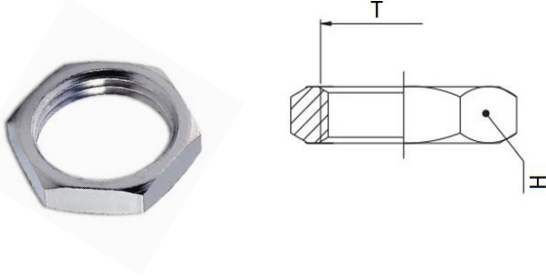


1176

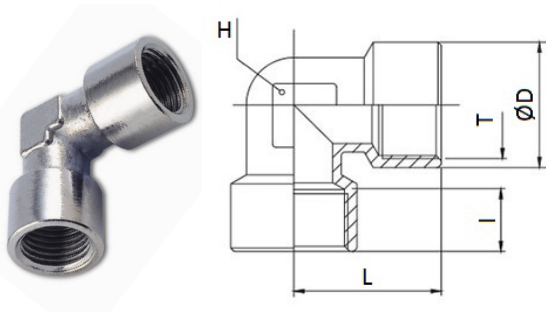
Bulkhead locking nut metric thread



CODE	T	H	GR.
1176TRM101	M10X1	14	3,0
1176TRM121	M12X1	16	3,8
1176TRM1615	M16X1,5	19	5,0
1176TRM1815	M18X1,5	22	7,0
1176TRM2015	M20X1,5	24	18,0
1176TRM2215	M22X1,5	25	17,0
1176TRM2615	M26X1,5	32	21,0
1176TRM2815	M28X1,5	36	23,0

1200

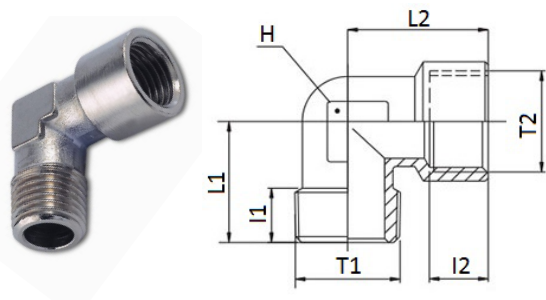
Elbow F/F BSPP & metric thread



CODE	T	I	D	L	H	GR.
1200TRM5	M5	5,5	9,0	11,0	8	6,0
1200TR18	G1/8"	8,0	13,5	20,5	10	19,0
1200TR14	G1/4"	11,5	16,5	31,0	13	33,0
1200TR38	G3/8"	12,0	21,0	36,0	17	57,0
1200TR12	G1/2"	15,0	26,0	44,0	21	109,0
1200TR34	G3/4"	16,5	32,0	36,5	25	144,0
1200TR1	G1"	19,0	39,0	45,0	30	244,0

1205

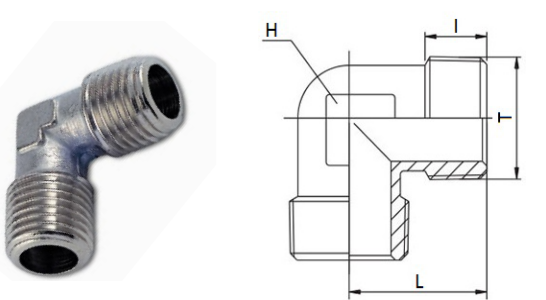
Elbow male BSPT / Female BSPP & metric thread



CODE	T1	T2	I1	I2	L1	L2	H	GR.
1205TRM5	M5	M5	5,0	5,5	11,5	11	8	7,0
1205TR18	R1/8"	G1/8"	9,5	8,0	17,5	19,5	10	16,0
1205TR14	R1/4"	G1/4"	11,5	11,5	24,0	25	13	31,0
1205TR38	R3/8"	G3/8"	13,0	12,0	27,5	27,5	17	46,0
1205TR12	R1/2"	G1/2"	15,0	15,0	30,0	33,5	21	92,0
1205TR34	R3/4"	G3/4"	16,0	16,5	33,0	36,5	25	120,0
1205TR1	R1"	G1"	17,0	19,0	39,0	45,0	30	212,0

1210

Elbow M/M BSPT & metric thread



CODE	T	I	L	H	GR.
1210TRM5	M5	5,0	13,5	8	6,0
1210TR18	R1/8"	9,0	18,5	10	13,0
1210TR14	R1/4"	11,5	22,0	12	20,0
1210TR38	R3/8"	13,0	26,0	13	31,0
1210TR12	R1/2"	14,0	28,5	17	55,0
1210TR34	R3/4"	16,0	33,0	25	100,0
1210TR1	R1"	17,0	39,0	30	174,0

