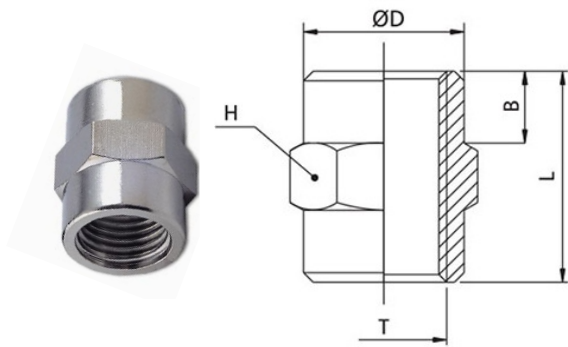


1125

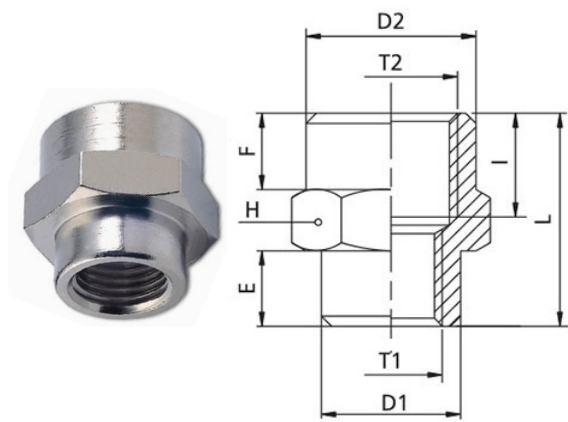
Sleeve F/F BSPP & metric thread



CODE	T	ØD	B	L	H	GR.
1125TRM5	M5	7,5	3,5	11,0	8	3,0
1125TR18	G1/8"	13,5	5,0	15,0	14	10,0
1125TR14	G1/4"	16,5	8,0	22,0	17	18,0
1125TR38	G3/8"	21,5	8,5	24,0	22	37,0
1125TR12	G1/2"	26,5	10,0	29,0	27	62,0
1125TR34	G3/4"	31,5	10,0	29,0	32	70,0
1125TR1	G1"	37,5	11,0	31,0	38	89,0

1126

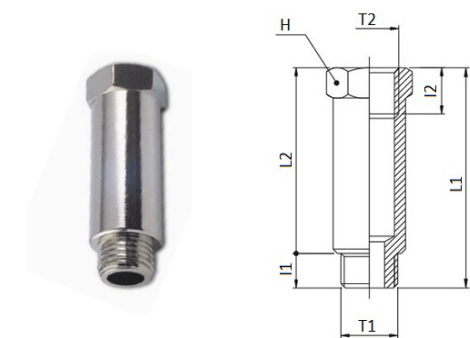
Sleeve sleeve F/F BSPP & metri thread



CODE	T1	T2	ØD1	ØD2	I	E	F	L	H	GR.
1126TRM518	M5	G1/8"	8,0	13,5	7,0	3,5	4,5	12,5	14	9,0
1126TR1814	G1/8"	G1/4"	13,0	16,5	11,0	6,0	8,0	20,0	17	18,0
1126TR1838	G1/8"	G3/8"	14,0	21,5	11,0	6,0	8,0	20,0	22	28,0
1126TR1438	G1/4"	G3/8"	17,0	21,5	11,0	7,0	8,0	21,0	22	30,0
1126TR1412	G1/4"	G1/2"	17,0	26,5	13,0	8,0	9,0	24,0	27	46,0
1126TR3812	G3/8"	G1/2"	21,5	26,5	13,0	8,0	9,0	24,0	27	48,0
1126TR3834	G3/8"	G3/4"	21,0	31,5	13,5	8,0	10,0	25,0	32	64,0
1126TR1234	G1/2"	G3/4"	26,0	31,5	13,5	8,0	10,0	25,0	32	65,0
1126TR121	G1/2"	G1"	26,0	37,0	14,0	8,0	10,0	25,0	38	84,0
1126TR341	G3/4"	G1"	32,0	37,0	14,0	8,0	10,0	25,0	38	83,0

1130

Extension M/F BSPP thread



CODE	T1	T2	I1	I2	L1	L2	H	GR.
1130TR181422	G1/8"	G1/8"	6	8,0	22	16	14	14,0
1130TR181442	G1/8"	G1/8"	6	8,0	42	36	14	30,0
1130TR181451	G1/8"	G1/8"	6	8,0	51	45	14	36,0
1130TR141735	G1/4"	G1/4"	8	11,0	35	27	17	32,0
1130TR141751	G1/4"	G1/4"	8	11,0	51	43	17	46,0

