

0°C ÷ +70°C
subject to application



up to 14 Bar at 20°C
depending from the used tube



Compressed air, water and fluids
suitable with construction materials



Polyurethane, silicon and soft PVC



High density polyethylene (HDPE)

FEATURES

Suitable for food.



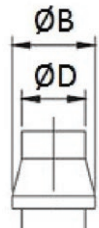
Products in compliance with
the directive 2002/95/EC

RoHS2

Products in compliance with
the directive 2011/65/EU

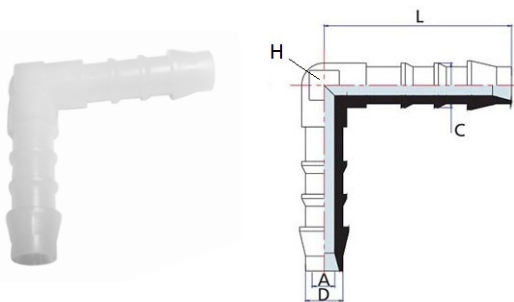
DIAMETER OF THE BARB

ØD	Ø 4 mm	Ø 6 mm	Ø 8 mm
ØB (mm)	5,2 mm	8,0 mm	10,0 mm



5030PE

Union elbow barb connector



CODE	ØD	ØA	ØB	ØC	L	H	GR.
5030PE4	4 - 5/32"	2,8	5,2	4,8	22,0	6,3	0,5
5030PE6	6 - 1/4"	4,0	8,0	7,5	31,2	7,8	1,4
5030PE8	8 - 5/16"	5,7	10,0	9,2	36,0	10,3	2,4

