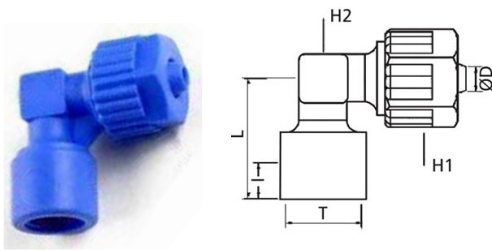


2130

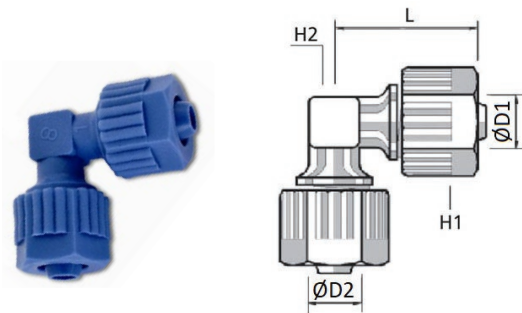
Female elbow BSPT thread



CODE	ØD	T	I	L	H1	H2	GR.
2130TR186	6/4	R1/8"	10,5	19,5	14	9	5,0
2130TR146	6/4	R1/4"	12,3	22,5	14	9	5,0
2130TR148	8/5,5	R1/4"	12,3	22,5	14	9	6,0

2135

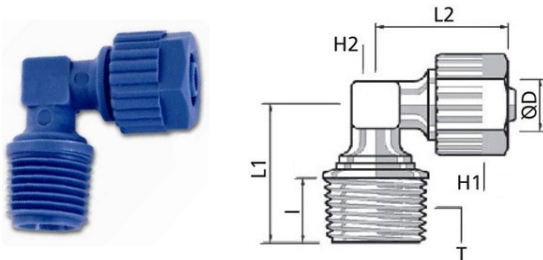
Union elbow



CODE	ØD	L	H1	H2	GR.
2135TR6	6/4	23,3	14	8	4,0
2135TR8	8/5,5	23,5	14	8	4,0
2135TR12	12/9	32,0	19	15	10,0
2135TR86	8/6	23,3	14	8	4,39

2140

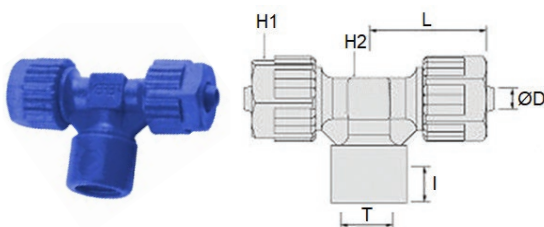
Male elbow BSPT thread



CODE	ØD	T	I	L1	L2	H1	H2	GR.
2140TR186	6/4	R1/8"	8,0	18,5	22,5	14	8	2,0
2140TR146	6/4	R1/4"	10,0	23,0	22,5	14	8	3,0
2140TR188	8/5,5	R1/8"	8,5	18,5	23,0	14	8	3,0
2140TR148	8/5,5	R1/4"	11,0	23,0	23,0	14	8	3,0
2140TR388	8/5,5	R3/8"	11,0	23,5	23,0	14	8	5,0
2140TR1412	12/9	R1/4"	10,0	24,0	33,0	19	15	7,0
2140TR3812	12/9	R3/8"	10,0	24,5	33,0	19	15	6,0
2140TR1212	12/9	R1/2"	13,0	28,5	33,0	19	15	9,0

2150

Female tee BSPT thread



CODE	ØD	T	I	L	H1	H2	GR.
2150TR186	6,2	R1/8"	10,2	23,3	14	8	5,82
2150TR148	7,2	R1/4"	12,5	23,3	14	8	5,82

