



20 Bar
Negative pressure: -750mmHg
 Depending from the tubes & temperatures applied.



Water, food, air, selected gases, vacuum and liquids suitable with construction materials.



Polyamide, polyurethane, polyethylene, Teflon tube PTFE, calibrated tube FEP. The hand valves must only be used in fully open or fully closed position.



Dry air: -20°C ÷ 98°C
Air & fluids: 1°C ÷ 98°C

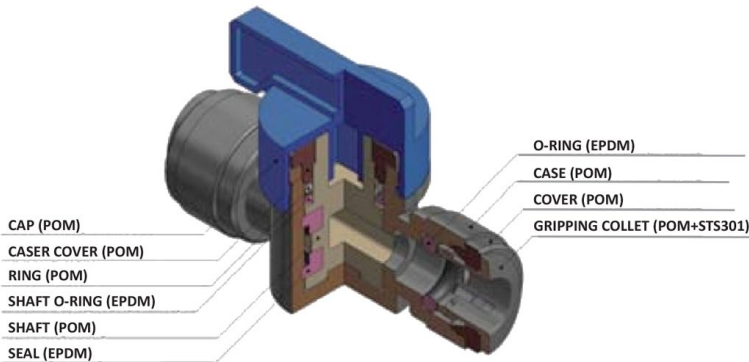
Please be advised that NSF standards cover only the temperature range from 1°C to 70°C. System performances always depend from fittings, tubes and possible other items and accessories used. It is responsibility of the users to cross check the technical features of each single component in order to avoid possible failures and damages.



Products in compliance with the directive 2002/95/EC

RoHS2

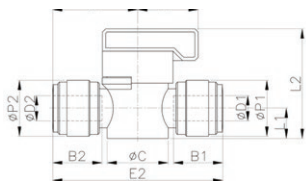
Products in compliance with the directive 2011/65/EU



Body: POM
O'Ring: EPDM
Cover: POM
Gripping collet: POM+STS301
Cap: POM
Seal: EPDM
Shaft: POM
Shaft O'ring: EPDM

HBVU

2 ways metric hand valves



CODE	ØD1	ØD2	B1	B2	ØP1	ØP2	L1	L2	E	ØC	GR.
HBVU0606B	6	6	16,1	16,1	15,5	15,5	9,5	34,5	51,7	19,2	16
HBVU0808B	8	8	17,5	17,5	17,6	17,6	9,5	34,5	53,5	19,2	17,4
HBVU1010B	10	10	20,1	20,1	20,0	20,0	12,5	42,3	63,0	24,2	29
HBVU1212B	12	12	23,7	23,7	23,0	23,0	12,5	42,3	70,4	24,2	35,4

