

3/2 WAY DIRECT ACTING SOLENOID VALVE, G 1/8"

COMMON FEATURES

Media: water, oil, air and aggressive fluids

Media temperature: -10°C ÷ +130°C

Ambient temperature: -10°C ÷ +50°C

Body material: stainless steel (1.4305 EN 10088/AISI 303)

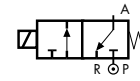
Orifice material: stainless steel (1.4305 EN 10088/AISI 303)

Operator material: stainless steel

Seal material: foodgrade FKM

Protection class: IP 65 (with connector and gasket)

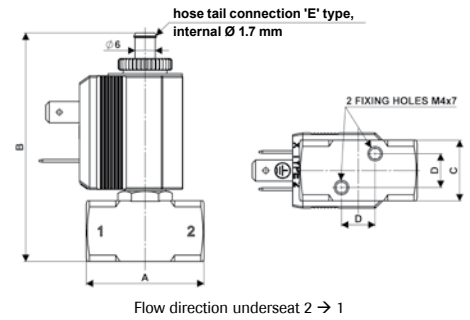
TYPE: B398



Normally Closed



DIMENSIONS & WEIGHTS		B398
G connection	[ISO 228]	1/8"
A	[mm]	35
B	[mm]	68
C	[mm]	18
D	[mm]	10
weight	[kg]	0.1



VALVE	nominal Ø	flow rate Kvs	OPD			COILS	
			min.	max. AC	max. DC	code	[Volts/Hz]
code	[mm]	[l/min]	[barg]	[barg]	[barg]	code	[Volts/Hz]
B398EVB	1.2	0.7	0	15	15	2250	24v DC
B398EVC	1.5	1.0	0	10	10	2200	24v 50/60Hz
B398EVE	2.0	1.9	0	5	5	2400	110v 50Hz - 120v 60Hz
B398EVG	2.5	2.7	0	3	3	2600	200v 50Hz - 220v 60Hz
						2700	230v 50Hz - 240v 60Hz

B398 - FKM seal, NC -

Coil power: AC 10vA (holding)
AC 16vA (inrush)
DC 7w

AGGRESSIVE FLUIDS

