

B10

10 mm nanovalves ISO 15218

- Low input standard: 0,3 W
- High flow-rate: 30 NI/min
- Quick response time: 3 ms
- ISO 15218 interface
- 3/2 NC version
- Led standard

Upon request:

- Bistable version
- 0,1 W version
- 50 NI/min flow rate version



TECHNICAL CHARACTERISTICS

| | |
|----------------------------|--|
| Ambient temperature | -5 ÷ +50 °C |
| Fluid temperature | max +50 °C |
| Fluid | 10 µm filtered air, lubricated or not |
| Ways/Positions | 3/2 NC (monostable) 3/2 NC-NO (bistable) |
| Pressure | max 8 bar |
| Control | electric |
| Return | mechanical spring |
| Operating frequency | 5 Hz |
| Assembly | no. 2 screws M1,6 |
| Connections | ISO 15218 interface |
| Nominal Ø (mm) | 1,3 mm |
| Nominal flow rate (NI/min) | 30 (1→2) 32 (2→3) |

CONSTRUCTIVE CHARACTERISTICS

| | |
|------------|----------------------------------|
| Valve body | self-extinguishing technopolymer |
| Seals | NBR |
| Components | stainless steel - brass |

ELECTRIC CHARACTERISTICS

| | |
|-----------------------|--|
| Voltage | 24 VDC (12V DC upon request) |
| Voltage tolerance | ±10% |
| Power consumption | 0,3W (pick-up 5,5 W - 25 ms) |
| Electrical connection | connector D535 U40 (IP65) welded pin (IP00) |
| LED | yellow (standard) |
| Manual override | monostable button |

CODIFICATION KEY

| | | | | | | | | | |
|---|---|---|---|---|---|---|---|---|---|
| B | 1 | 0 | 4 | 0 | 1 | L | 2 | 4 | D |
| | 1 | 2 | 3 | 4 | 5 | | 6 | | |

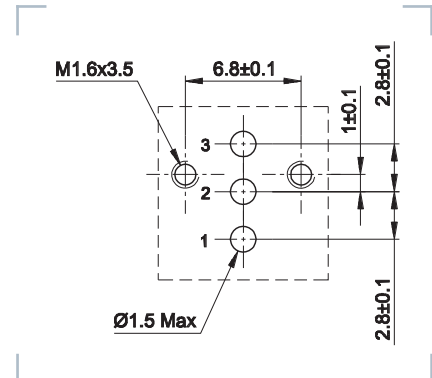
| | | |
|----------------------------------|---|--------------------|
| 1 Series | 2 Model | 3 Type |
| B10 = 10 mm nanovalves ISO 15218 | 4 = monostable 5 = bistable (upon request) | 0 = 3/2 NC Ø1,3 mm |

| | | |
|--|---|--|
| 4 Function | 5 Variant | 6 Voltage |
| 1 = with manual, 90° connector 2 = without manual, 90° connector 3 = with manual, PIN on interface side 4 = without manual, PIN on interface side | L = protected PIN ^(a) P = unprotected PIN (suitable for electronic board mounting) | 24D = 24 V DC 12D = 12 V DC (upon request) |

(a) = version for connector

Fixing screws included. Tightening torque max 0,15 Nm.

Substructure (ISO 15218)



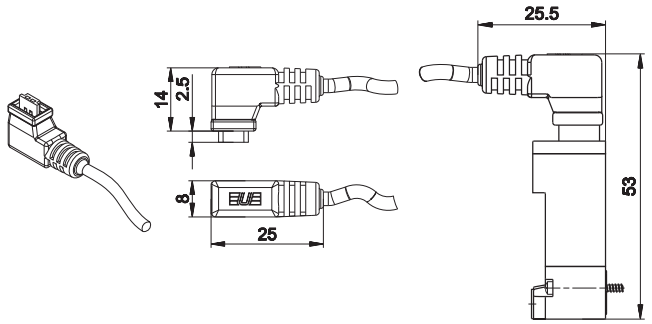
- 1 = Supply port
- 2 = Use
- 3 = Exhaust

90° Connector

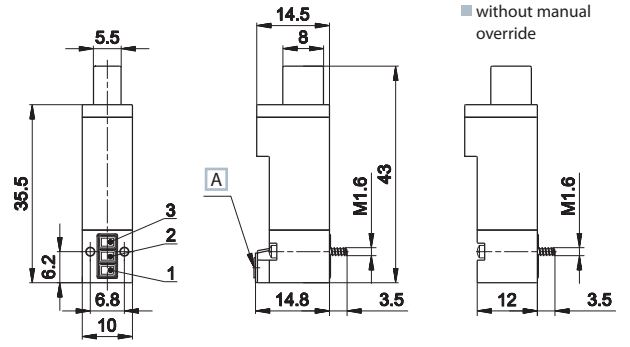


| | Symbol | Pressure bar | Ø mm | Times (ms) | | Weight Kg | Part no. |
|--------|--------|-----------------|---------|------------|--------|--------------|-----------------|
| | | | | En. | De-en. | | |
| 3/2 NC | | 0÷7 | 1,3 | 3 | 3,5 | 0,0108 | B10-401L24D (a) |
| 3/2 NC | | 0÷7 | 1,3 | 3 | 3,5 | 0,0107 | B10-402L24D (b) |

D-535U40300/500



single connector with 3-5 m wire
weight Kg: 0,05 D-535U40300 wire L = 300 mm
0,07 D-535U40500 wire L = 500 mm



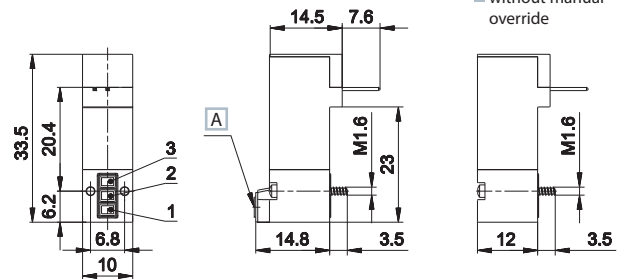
A Manual override

- 1 = Supply port
- 2 = Use
- 3 = Exhaust

In-line PIN



| | Symbol | Pressure bar | Ø mm | Times (ms) | | Weight Kg | Part no. |
|--------|--------|-----------------|---------|------------|--------|--------------|-----------------|
| | | | | En. | De-en. | | |
| 3/2 NC | | 0÷7 | 1,3 | 3 | 3,5 | 0,0104 | B10-403P24D (a) |
| 3/2 NC | | 0÷7 | 1,3 | 3 | 3,5 | 0,0103 | B10-404P24D (b) |



A Manual override

- 1 = Supply port
- 2 = Use
- 3 = Exhaust

In-line PIN bistable (magnetic memory)



In this version the opening is carried out by a 25 ms impulse, while the closing is carried out by a similar impulse with inverted polarity.

For any further information please get in touch with our Sales Office.

(a) = with manual override (b) = without manual override