




-  -20°C ÷ 70°C


---

-  Working pressure:  
10 Bar


---

-  Compressed air  
(lubricated and non-lubricated)


---

-  - Parallel gas BSPP ISO 228  
from G1/8" to G1/2"  
- Metric ISO 262  
M5

---


-  Polyamide PA,  
Polyurethane PU

---

-  Manual flow regulation and  
screwdriver

**FLOW**

Flow data are indicated in the table

- Body: Nickel-plated brass  
UNI EN 12164 CW617N
- Collet: Nickel-plated brass  
UNI EN 12164 CW614N
-  Lock claw: Stainless steel AISI 316L
- Seal: NBR silicone free
- O-ring: NBR silicone free
- Handle: Nickel-plated brass  
UNI EN 12164 CW614N
- Lock nut: Nickel-plated brass  
UNI EN 12164 CW614N

**SILICONE FREE**

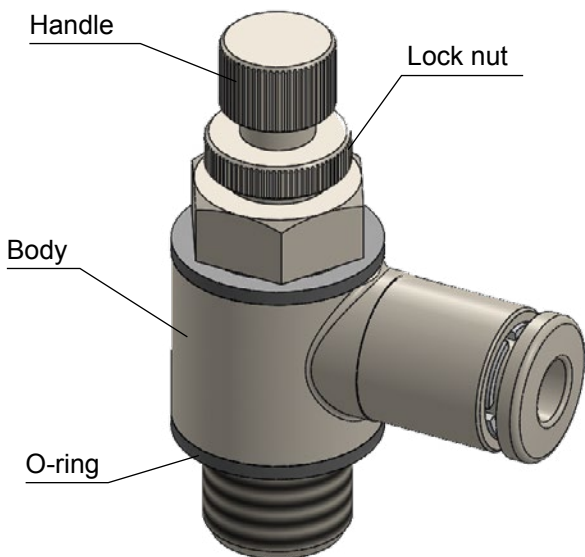


Products in compliance with  
EC Regulation 1907/2006

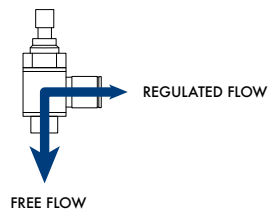


Products in compliance with  
the directive EU 2015/863

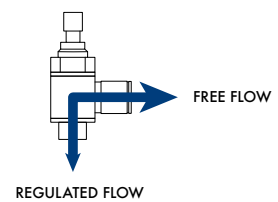
**CONSTRUCTION DETAILS**



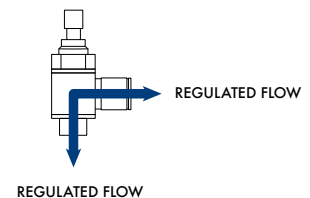
**EXHAUST  
(FOR CYLINDERS)**



**SUPPLY  
(FOR VALVES)**



**BIDIRECTIONAL**



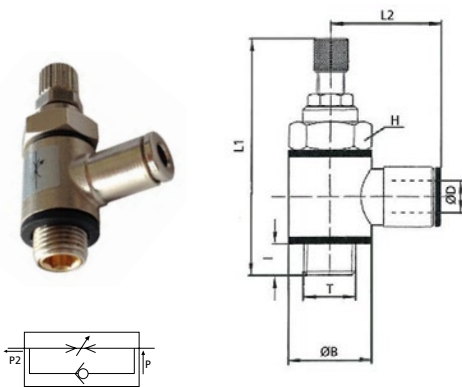
**TIGHTENING TORQUE**  
PARALLEL GAS BSPP ISO 228

THREAD	M5x0,8	1/8"	1/4"	3/8"	1/2"
Nm	0,8	1,2	1,5	2,5	3,5



**OTSC-G**

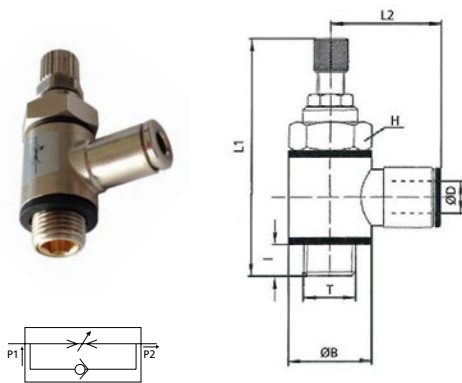
Unidirectional swivel flow regulator, male BSPP thread for cylinders, with handle regulation



CODE	ØD	T	I	ØB	L1	L2	H	NL/min	g
OTSC04G01	4	G 1/8"	5,5	14	49,0	21,0	14	310	36,0
OTSC06G01	6	G 1/8"	5	14	49,0	23,0	14	390	38,0
OTSC06G02		G 1/4"	6	18	56,5	24,0	17	710	65,0
OTSC08G01	8	G 1/8"	5	14	49,0	24,5	14	390	39,0
OTSC08G02		G 1/4"	6	18	56,5	26,0	17	810	66,0
OTSC10G02	10	G 1/4"	6	18	56,5	27,0	17	810	69,0
OTSC12G02	12	G 1/4"	6	18	56,5	28,0	17	810	70,0

**OTSC-G-IN**

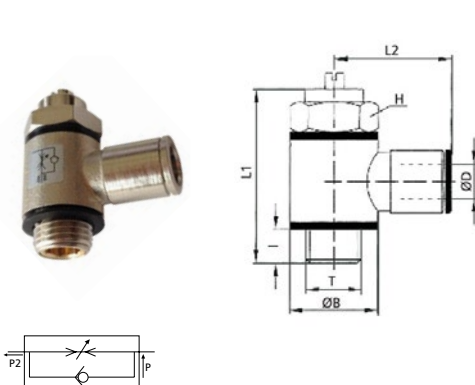
Unidirectional swivel flow regulator, male BSPP thread for valves, with handle regulation



CODE	ØD	T	I	ØB	L1	L2	H	NL/min	g
OTSC04G01IN	4	G 1/8"	5,5	14	49,0	21,0	14	310	36,0
OTSC06G01IN	6	G 1/8"	5	14	49,0	23,0	14	390	38,0
OTSC06G02IN		G 1/4"	6	18	56,5	24,0	17	710	65,0
OTSC08G01IN	8	G 1/8"	5	14	49,0	24,5	14	390	39,0
OTSC08G02IN		G 1/4"	6	18	56,5	26,0	17	810	66,0
OTSC10G02IN	10	G 1/4"	6	18	56,5	27,0	17	810	69,0
OTSC12G02IN	12	G 1/4"	6	18	56,5	28,0	17	810	70,0

**OTSC-G-D**

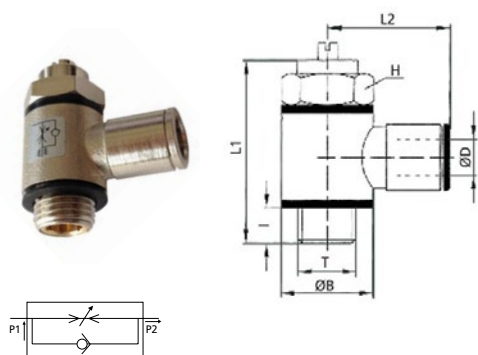
Unidirectional swivel flow regulator, male BSPP & metric thread for cylinders, with screwdriver regulation



CODE	ØD	T	I	ØB	L1	L2	H	NL/min	g
OTSC04M5D	4	M5x0,8	4	9	25,0	18,0	8	45	14,0
OTSC04G01D		G 1/8"	5	14	32,0	21,0	14	310	31,0
OTSC06M5D	6	M5x0,8	4	9	25,5	21,5	8	45	15,5
OTSC06G01D		G 1/8"	5	14	32,0	23,0	14	390	33,0
OTSC06G02D	8	G 1/4"	6	18	37,0	24,0	17	710	55,0
OTSC08G01D		G 1/8"	5	14	32,0	24,5	14	390	34,0
OTSC08G02D	8	G 1/4"	6	18	37,0	26,0	17	810	56,0
OTSC08G03D		G 3/8"	6,5	21	46,5	27,0	20	1050	87,0
OTSC10G02D	10	G 1/4"	6	18	37,0	27,0	17	810	58,5
OTSC10G03D		G 3/8"	6,5	21	46,0	28,5	20	1050	88,0
OTSC12G02D	12	G 1/4"	6	18	37,0	28,5	17	810	59,0
OTSC12G03D		G 3/8"	6,5	21	46,0	29,5	20	1050	89,0

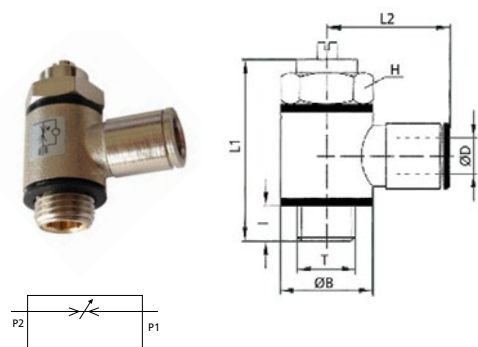


**OTSC-G-D-IN** Unidirectional swivel flow regulator, male BSPP & metric thread for valves, with screwdriver regulation



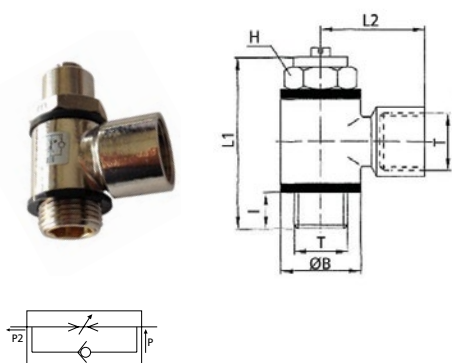
CODE	ØD	T	I	ØB	L1	L2	H	NL/min	g
OTSC04M5DIN	4	M5x0,8	4	9	25,5	20,0	8	45	14
OTSC04G01DIN		G 1/8"	5	14	32,0	21,0	14	310	31
OTSC06M5DIN	6	M5x0,8	4	9	25,5	21,5	8	45	15,5
OTSC06G01DIN		G 1/8"	5	14	32,0	23,0	14	390	33
OTSC06G02DIN		G 1/4"	6	18	37,0	34,0	17	710	55
OTSC08G01DIN	8	G 1/8"	5	14	32,0	24,5	14	390	34
OTSC08G02DIN		G 1/4"	6	18	37,0	26,0	17	810	56
OTSC08G03DIN		G 3/8"	6,5	21	46,0	27,5	20	1050	87
OTSC10G02DIN	10	G 1/4"	6	18	37,0	27,0	17	810	58,5
OTSC10G03DIN		G 3/8"	6,5	21	46,0	28,5	20	1050	88
OTSC12G02DIN	12	G 1/4"	6	18	37,0	38,5	17	810	59
OTSC12G03DIN		G 3/8"	6,5	21	46,0	29,5	20	1050	89

**OTSC-G-D-B** Bidirectional flow regulator, male BSPP & metric thread, with screwdriver regulation



CODE	ØD	T	I	ØB	L1	L2	H	NL/min	g
OTSC04M5DB	4	M5x0,8	4	9	25,5	20,0	8	45	14,0
OTSC04G01DB		G 1/8"	5	14	32,0	21,0	14	310	31,0
OTSC06M5DB	6	M5x0,8	4	9	24,5	21,5	8	45	15,5
OTSC06G01DB		G 1/8"	5	14	32,0	23,0	14	390	33,0
OTSC06G02DB		G 1/4"	6	18	37,0	24,0	17	710	55,0
OTSC08G01DB	8	G 1/8"	5	14	32,0	24,5	14	390	34,0
OTSC08G02DB		G 1/4"	6	18	37,0	26,0	17	810	56,0
OTSC08G03DB		G 3/8"	6,5	21	46,5	27,0	20	1050	87,0
OTSC10G02DB	10	G 1/4"	6	18	37,0	27,0	17	810	58,5

**OTSC-G-DF** Unidirectional swivel flow regulator, M/F BSPP & metric thread for cylinders, with screwdriver regulation

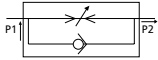
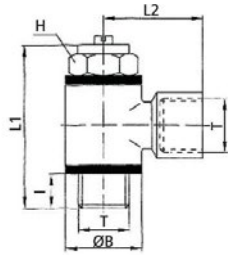


CODE	T	I	ØB	L1	L2	H	NL/min	g
OTSCM5DF	M5x0,8	4	9	25,0	11,5	8	45	10,0
OTSCG01DF	G 1/8"	5	14	32,0	21,0	14	310	34,0
OTSCG02DF	G 1/4"	6	18	37,0	25,5	17	450	64,0
OTSCG03DF	G 3/8"	7	21	46,0	26,0	20	1040	88,0
OTSCG04DF	G 1/2"	10	26	52,5	32,0	26	2200	187,0



**OTSC-G-DF-IN**

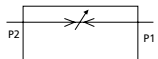
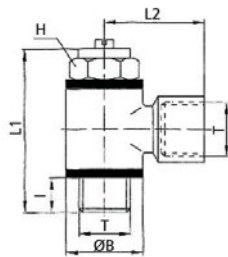
Unidirectional swivel flow regulator, M/F BSPP & metric thread for valves, with screwdriver regulation



CODE	T	I	ØB	L1	L2	H	NL/min	g
OTSCM5DFIN	M5x0,8	4	9	25,0	11,5	8	45	10
OTSCG01DFIN	G 1/8"	5	14	32,0	21,0	14	310	34
OTSCG02DFIN	G 1/4"	6	18	37,0	25,5	14	450	64
OTSCG03DFIN	G 3/8"	7	21	46,0	26,0	20	1040	88
OTSCG04DFIN	G 1/2"	10	26	52,5	32,0	26	2200	187

**OTSC-G-DF-B**

Bidirectional swivel flow regulator, M/F BSPP & metric thread, with screwdriver regulation



CODE	T	I	ØB	L1	L2	H	NL/min	g
OTSCM5DFB	M5x0,8	4	9	25,0	11,5	8	45	10,0
OTSCG01DFB	G 1/8"	5	14	32,0	21,0	14	310	34,0
OTSCG02DFB	G 1/4"	6	18	37,0	25,5	17	450	64,0
OTSCG03DFB	G 3/8"	7	21	46,0	26,0	20	1040	88,0
OTSCG04DFB	G 1/2"	10	26	52,5	32,0	26	2200	187,0

