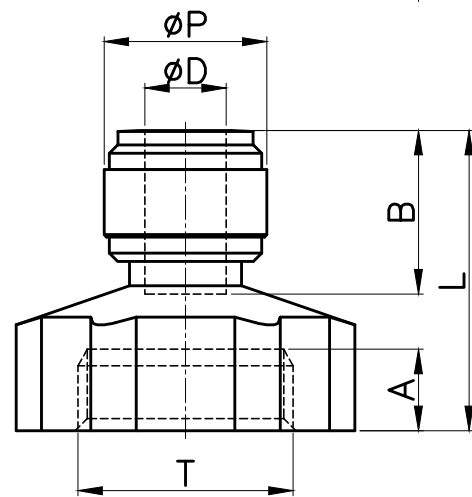
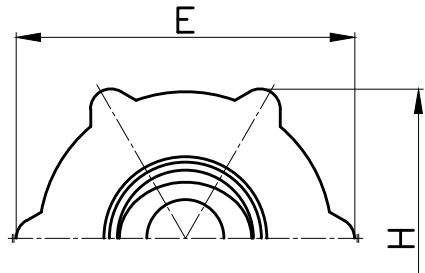


# HCF-NH



MODEL(mm)	$\phi D$	$\phi P$	T(NH)	L	A	B (TUBE DEEP)	H (Hex)	E	WEIGHT (g)	EA (BOX)
HCF 06-NH06	06	15.5	3/4	34.2	7.0	16.1	36.7	41.6	34.9	20
HCF 08-NH06	08	20.0	3/4	36.6	7.0	17.5	36.7	41.6	36.5	20
HCF 10-NH06	10	20.0	3/4	36.9	7.0	20.1	36.7	41.6	38.1	20