

3/2-Way Coaxial Solenoid Valve - Type ETV Series 200

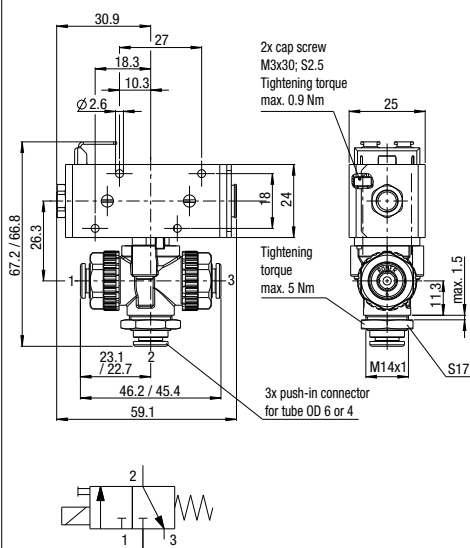
 Price group **56**

"C" in 0-position "1" closed, "2" to "3" discharged



Plastic PPA

DN	Kv-value water [l/min]	for tube OD	PN	Al-low. OP [bar]	Allow. OP by 50 % duty [bar]	Allow. OP by 100 % duty [bar]	Seal material	Voltage / current	Type	Order number	Price
1.5	1.4	4	6	6	6	6	EPDM	24 V DC	ETV-217-C15-4PF-024/=U0	627421	o. r.
1.5	1.5	6	6	6	6	6	EPDM	24 V DC	ETV-217-C15-6PF-024/=U0	627424	o. r.
2	1.5	4	5	5	5	5	EPDM	24 V DC	ETV-217-C20-4PF-024/=U0	627427	o. r.
2	1.8	6	5	5	5	5	EPDM	24 V DC	ETV-217-C20-6PF-024/=U0	627430	o. r.
3	1.7	4	2	2	2	2	EPDM	24 V DC	ETV-217-C30-4PF-024/=U0	627433	o. r.
3	2.5	6	2	2	2	2	EPDM	24 V DC	ETV-217-C30-6PF-024/=U0	627436	o. r.
1.5	1.4	4	6	6	6	6	FKM	24 V DC	ETV-217-C15-4FF-024/=U0	627422	o. r.
1.5	1.5	6	6	6	6	6	FKM	24 V DC	ETV-217-C15-6FF-024/=U0	627425	o. r.
2	1.5	4	5	5	5	5	FKM	24 V DC	ETV-217-C20-4FF-024/=U0	627428	o. r.
2	1.8	6	5	5	5	5	FKM	24 V DC	ETV-217-C20-6FF-024/=U0	627431	o. r.
3	1.7	4	2	2	2	2	FKM	24 V DC	ETV-217-C30-4FF-024/=U0	627434	o. r.
3	2.5	6	2	2	2	2	FKM	24 V DC	ETV-217-C30-6FF-024/=U0	627437	o. r.

Illustration

3/2-Way Coaxial Solenoid Valve - Type ETV Series 200

 Price group **56**

"F" in 0-position "1" to "2" closed, "1" to "4" open



Plastic PPA

DN	Kv-value water [l/min]	for tube OD	PN	Al-low. OP [bar]	Allow. OP by 50 % duty [bar]	Allow. OP by 100 % duty [bar]	Seal material	Voltage / current	Type	Order number	Price
1.5	1.4	4	12.5	12.5	12.5	6	EPDM	24 V DC	ETV-219-F15-4PF-024/=U0	627451	o. r.
1.5	1.5	6	12.5	12.5	12.5	6	EPDM	24 V DC	ETV-219-F15-6PF-024/=U0	627454	o. r.
2	1.6	4	10	10	10	6	EPDM	24 V DC	ETV-219-F20-4PF-024/=U0	627457	o. r.
2	1.8	6	10	10	10	6	EPDM	24 V DC	ETV-219-F20-6PF-024/=U0	627460	o. r.
3	1.8	4	4	4	4	3	EPDM	24 V DC	ETV-219-F30-4PF-024/=U0	627463	o. r.
3	2.8	6	4	4	4	3	EPDM	24 V DC	ETV-219-F30-6PF-024/=U0	627466	o. r.
1.5	1.4	4	12.5	12.5	12.5	6	FKM	24 V DC	ETV-219-F15-4FF-024/=U0	627452	o. r.
1.5	1.5	6	12.5	12.5	12.5	6	FKM	24 V DC	ETV-219-F15-6FF-024/=U0	627455	o. r.
2	1.6	4	10	10	10	6	FKM	24 V DC	ETV-219-F20-4FF-024/=U0	627458	o. r.
2	1.8	6	10	10	10	6	FKM	24 V DC	ETV-219-F20-6FF-024/=U0	627461	o. r.
3	1.8	4	4	4	4	3	FKM	24 V DC	ETV-219-F30-4FF-024/=U0	627464	o. r.
3	2.8	6	4	4	4	3	FKM	24 V DC	ETV-219-F30-6FF-024/=U0	627467	o. r.

Illustration
