

**2/2-Way Coaxial Solenoid Valve - Type ETV Series 200**

 Price group **56**

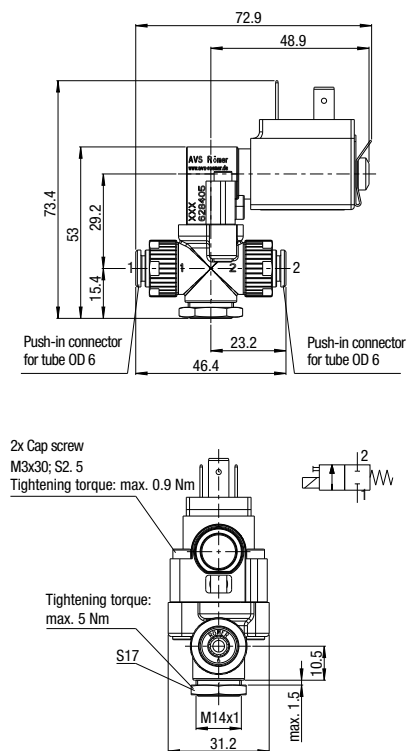
"A" in 0-position closed (closing with the flow)



Plastic PPA

Irrespective of the information in the solenoid valve tables a housing temperature of +155 °C may not be exceeded. The value is limited to +120 °C with use of a cable socket. In case of doubt we are pleased to advise you.

DN	Kv-value water [l/min]	for tube OD	PN	Allow. OP [bar]	Seal material	Voltage / current	Type	Order number	Price
4	5	6	2	0-2	FKM	24 V DC	ETV-422-A40-6FF-024/=H0	628407	o. r.
4	5	6	2	0-2	EPDM	24 V DC	ETV-422-A40-6PF-024/=H0	628417	o. r.

**Illustration**

**3/2-Way Coaxial Solenoid Valve - Type ETV Series 200**

 Price group **56**

"F" in 0-position "1" to "2" closed, "1" to "4" open



Plastic PPA

Irrespective of the information in the solenoid valve tables a housing temperature of +155 °C may not be exceeded. The value is limited to +120 °C with use of a cable socket. In case of doubt we are pleased to advise you.

DN	Kv-value water [l/min]	for tube OD	PN	Allow. OP [bar]	Seal material	Voltage / current	Type	Order number	Price
4	5	6	1.5	0-1.5	FKM	24 V DC	ETV-429-F40-6FF-024/=H0	628537	o. r.
4	5	6	1.5	0-1.5	EPDM	24 V DC	ETV-429-F40-6PF-024/=H0	628547	o. r.

**Illustration**
