

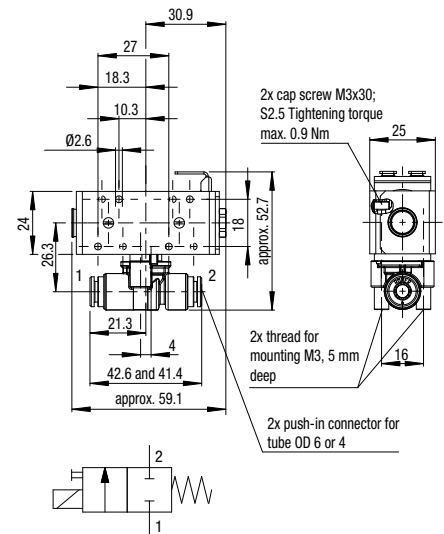
2/2-Way Coaxial Solenoid Valve - Type ETV Series 200

 Price group **56**

 "A" in 0-position closed
(closing with the flow)

 Plastic
PPA

DN	Kv-value water [l/min]	for tube OD	PN	Al-low. OP [bar]	Allow. OP by 50 % duty [bar]	Allow. OP by 100 % duty [bar]	Seal material	Voltage / current	Type	Order number	Price
1.5	1.4	4	16	16	12.5	6	EPDM	24 V DC	ETV-222-A15-4PF-024/=U0	627351	o. r.
1.5	1.4	6	16	16	12.5	6	EPDM	24 V DC	ETV-222-A15-6PF-024/=U0	627352	o. r.
2	2.4	4	12.5	12.5	10	5	EPDM	24 V DC	ETV-222-A20-4PF-024/=U0	627363	o. r.
2	2.4	6	12.5	12.5	10	5	EPDM	24 V DC	ETV-222-A20-6PF-024/=U0	627364	o. r.
2.5	2.5	4	8	8	6	3	EPDM	24 V DC	ETV-222-A25-4PF-024/=U0	627353	o. r.
2.5	3.4	6	8	8	6	3	EPDM	24 V DC	ETV-222-A25-6PF-024/=U0	627354	o. r.
1.5	1.4	4	16	16	12.5	6	FKM	24 V DC	ETV-222-A15-4FF-024/=U0	627355	o. r.
1.5	1.4	6	16	16	12.5	6	FKM	24 V DC	ETV-222-A15-6FF-024/=U0	627356	o. r.
2	2.4	4	12.5	12.5	10	5	FKM	24 V DC	ETV-222-A20-4FF-024/=U0	627365	o. r.
2	2.4	6	12.5	12.5	10	5	FKM	24 V DC	ETV-222-A20-6FF-024/=U0	627366	o. r.
2.5	2.5	4	8	8	6	3	FKM	24 V DC	ETV-222-A25-4FF-024/=U0	627357	o. r.
2.5	3.4	6	8	8	6	3	FKM	24 V DC	ETV-222-A25-6FF-024/=U0	627358	o. r.

Illustration

2/2-Way Coaxial Solenoid Valve - Type ETV Series 200

 Price group **56**

 "B" in 0-position open
(closing with the flow)

 Plastic
PPA

DN	Kv-value water [l/min]	for tube OD	PN	Al-low. OP [bar]	Allow. OP by 50 % duty [bar]	Allow. OP by 100 % duty [bar]	Seal material	Voltage / current	Type	Order number	Price
1.5	1.4	4	12.5	12.5	12.5	12.5	EPDM	24 V DC	ETV-211-B15-4PF-024/=U0	627401	o. r.
1.5	1.4	6	12.5	12.5	12.5	12.5	EPDM	24 V DC	ETV-211-B15-6PF-024/=U0	627402	o. r.
2	2.4	4	8	8	8	8	EPDM	24 V DC	ETV-211-B20-4PF-024/=U0	627409	o. r.
2	2.4	6	8	8	8	8	EPDM	24 V DC	ETV-211-B20-6PF-024/=U0	627410	o. r.
2.5	2.5	4	4	4	4	4	EPDM	24 V DC	ETV-211-B25-4PF-024/=U0	627403	o. r.
2.5	3.4	6	4	4	4	4	EPDM	24 V DC	ETV-211-B25-6PF-024/=U0	627404	o. r.
1.5	1.4	4	12.5	12.5	12.5	12.5	FKM	24 V DC	ETV-211-B15-4FF-024/=U0	627405	o. r.
1.5	1.4	6	12.5	12.5	12.5	12.5	FKM	24 V DC	ETV-211-B15-6FF-024/=U0	627406	o. r.
2	2.4	4	8	8	8	8	FKM	24 V DC	ETV-211-B20-4FF-024/=U0	627411	o. r.
2	2.4	6	8	8	8	8	FKM	24 V DC	ETV-211-B20-6FF-024/=U0	627412	o. r.
2.5	2.5	4	4	4	4	4	FKM	24 V DC	ETV-211-B25-4FF-024/=U0	627407	o. r.
2.5	3.4	6	4	4	4	4	FKM	24 V DC	ETV-211-B25-6FF-024/=U0	627408	o. r.

Illustration
